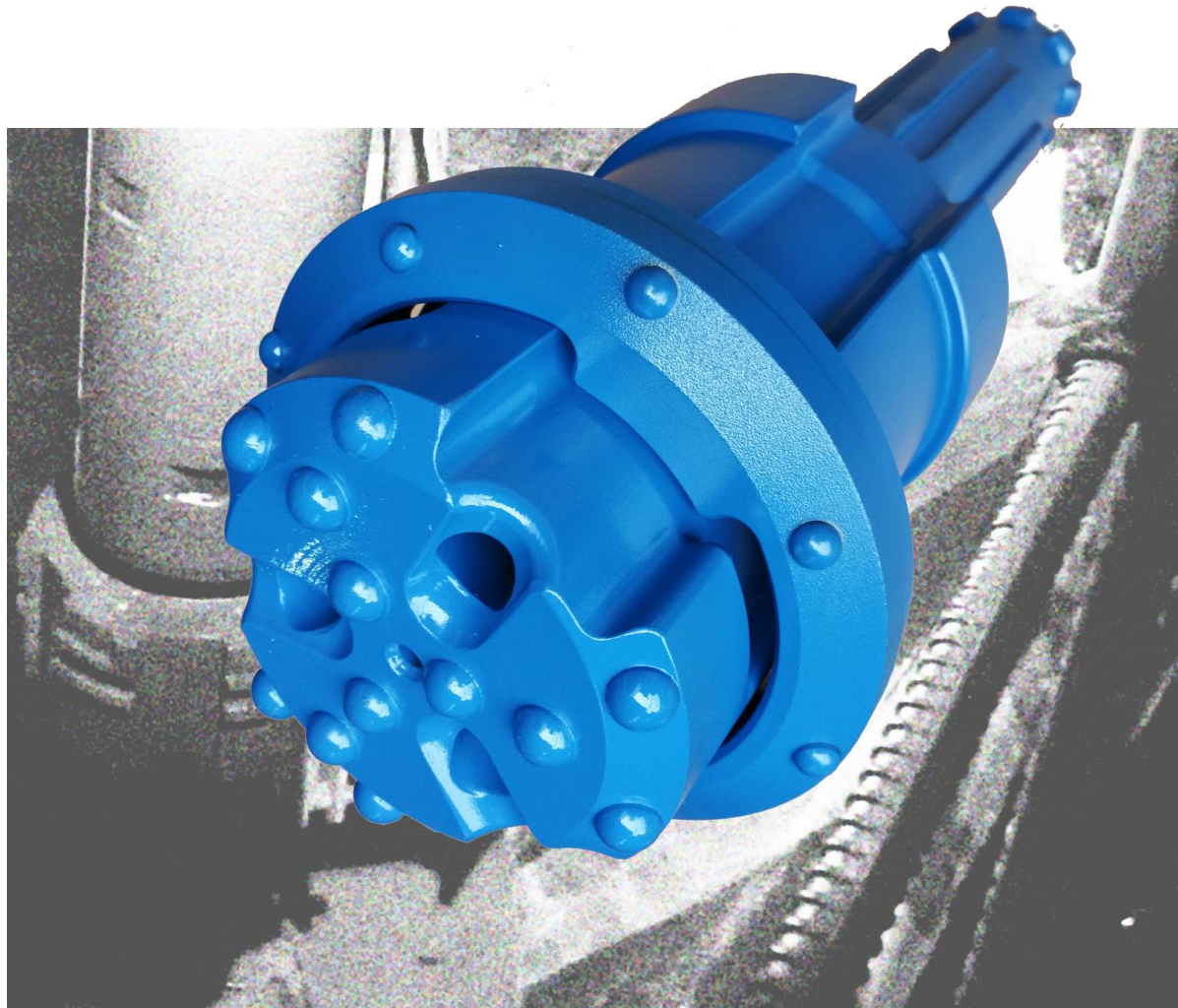


# PITMEC

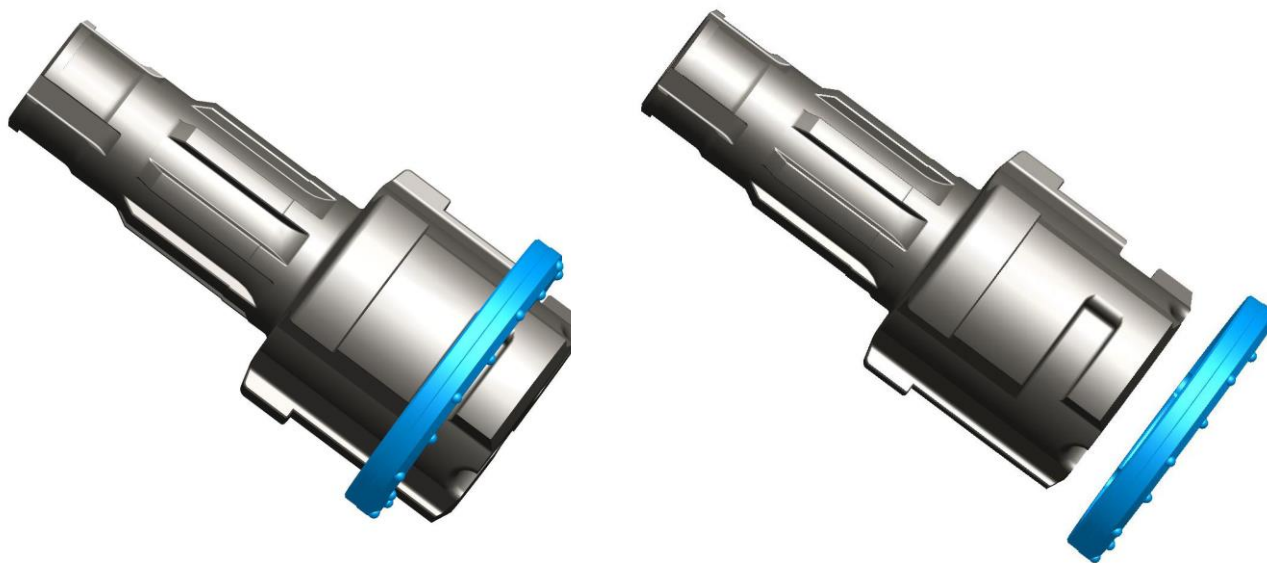
## THE PRING-E 140 RING BIT CASING SYSTEM



---

**CASING SIZE 168MM OD X 155MM ID DRILLING DIA. 182MM**

# PNEUMEC PRING-E 140 CASING SYSTEM



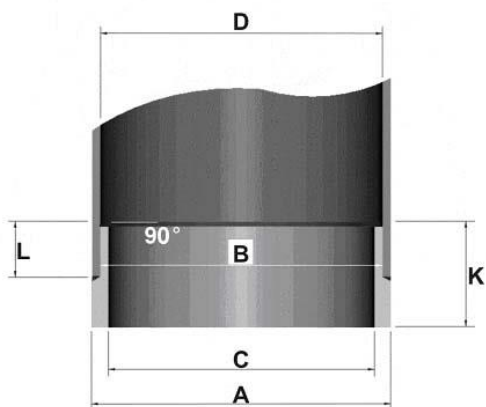
## PRING-E 140 PARTS LIST

1.	DRIVER BIT DHD350 SHANK	UGD140350RE
2.	RING	URB140RE
3.	COMPLETE SYSTEM	UCS140350RE

## PRING-E 140 SPECIFICATIONS

UPPER BODY DIAMETER	152MM	RING ID	121MM
RING OD	182MM	CASING SIZE	168MM X 155MM ID
SYSTEM LENGTH	420MM	SYSTEM WEIGHT	45KG

## PRING-E 140 CASING SHOES



DIA. A	168MM
DIA. B	152MM
DIA. C	141.5MM
DIA. D	155MM
L	30MM
K	70MM



**PNEUMEC COMPANY LIMITED**

1st Floor, Tin On Sing Comm. Bldg., 41-43 Graham St. Central, H.K.

Tel : (852) 2180 9922

Website : [www.pneumec.com](http://www.pneumec.com)

Fax : (852) 2180 9982

email : [info@pneumec.com](mailto:info@pneumec.com)